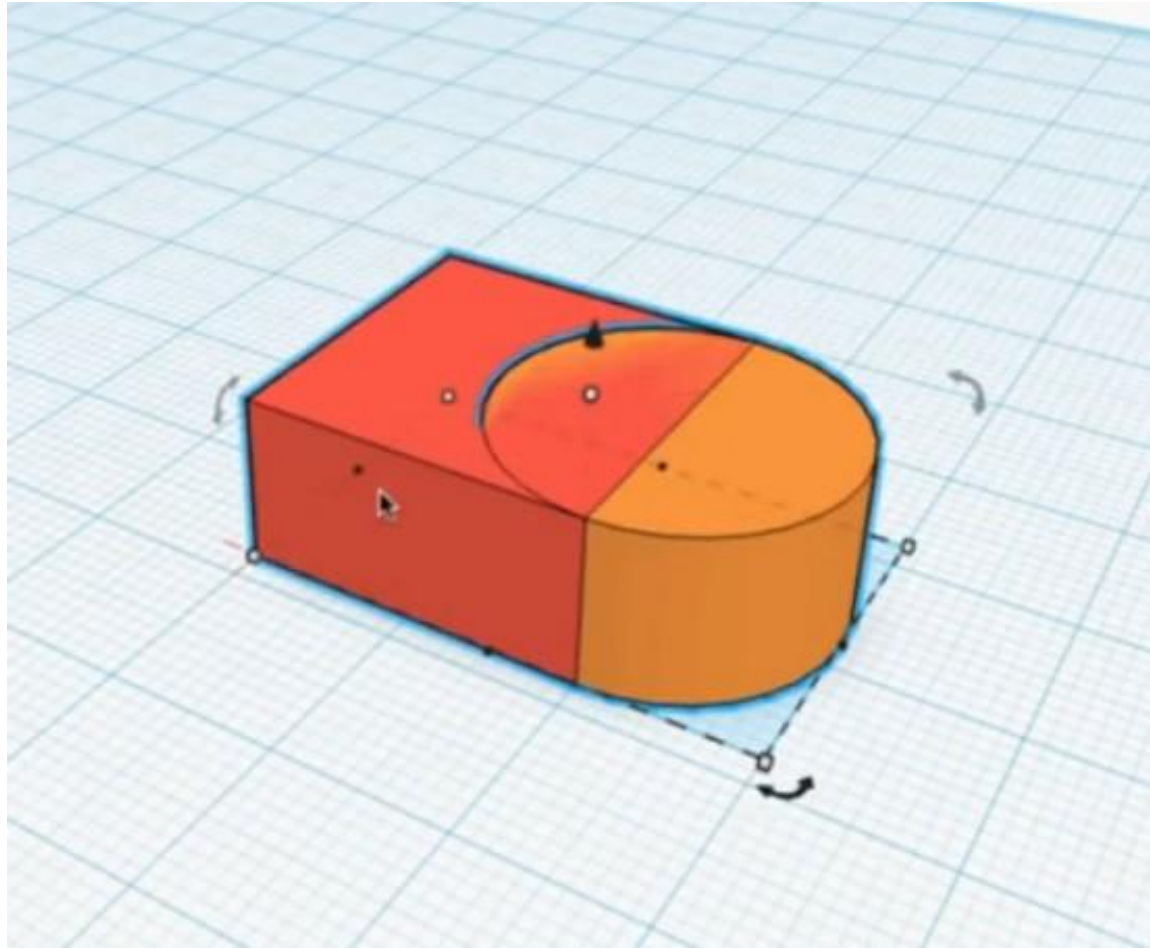
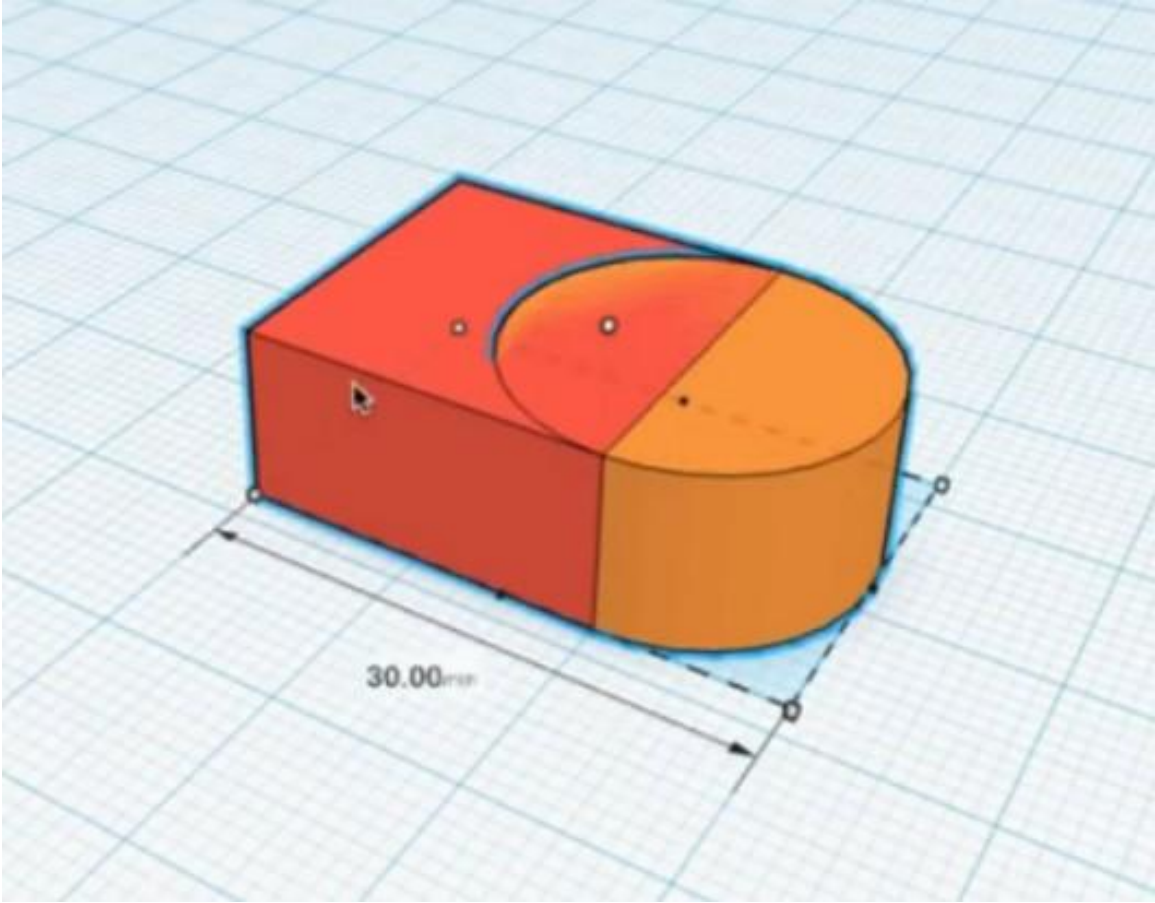


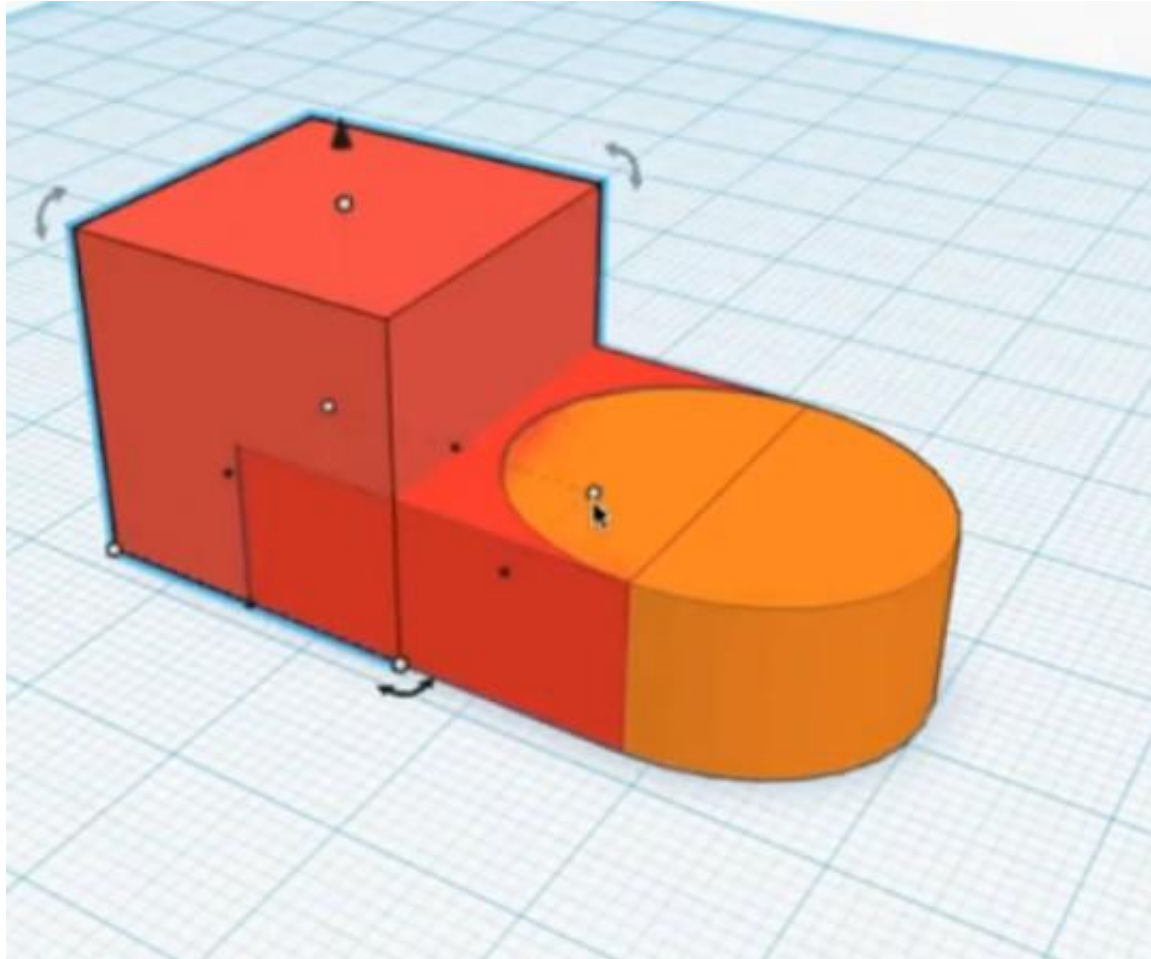
***Start with the combined block and cylinder...
Compress downward to $\frac{1}{2}$ thickness or 10mm...***



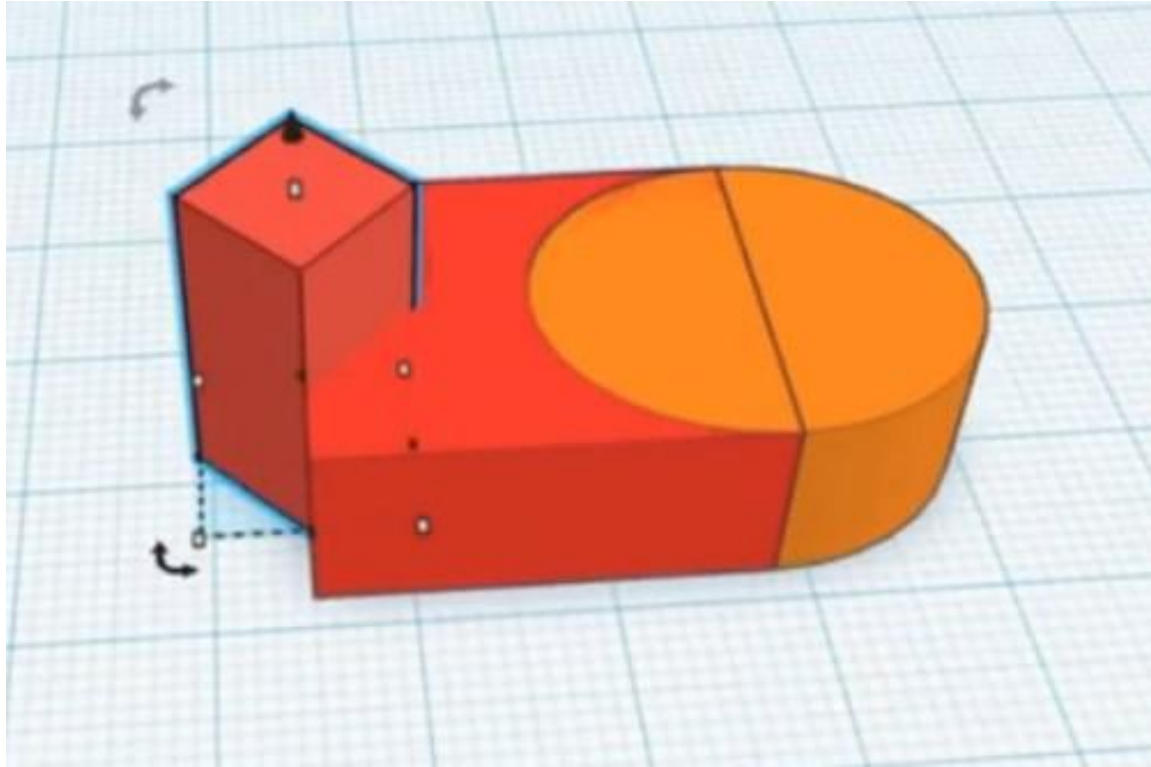
Stretch combined shapes to 30mm length...



Add a second block overlapping the end...

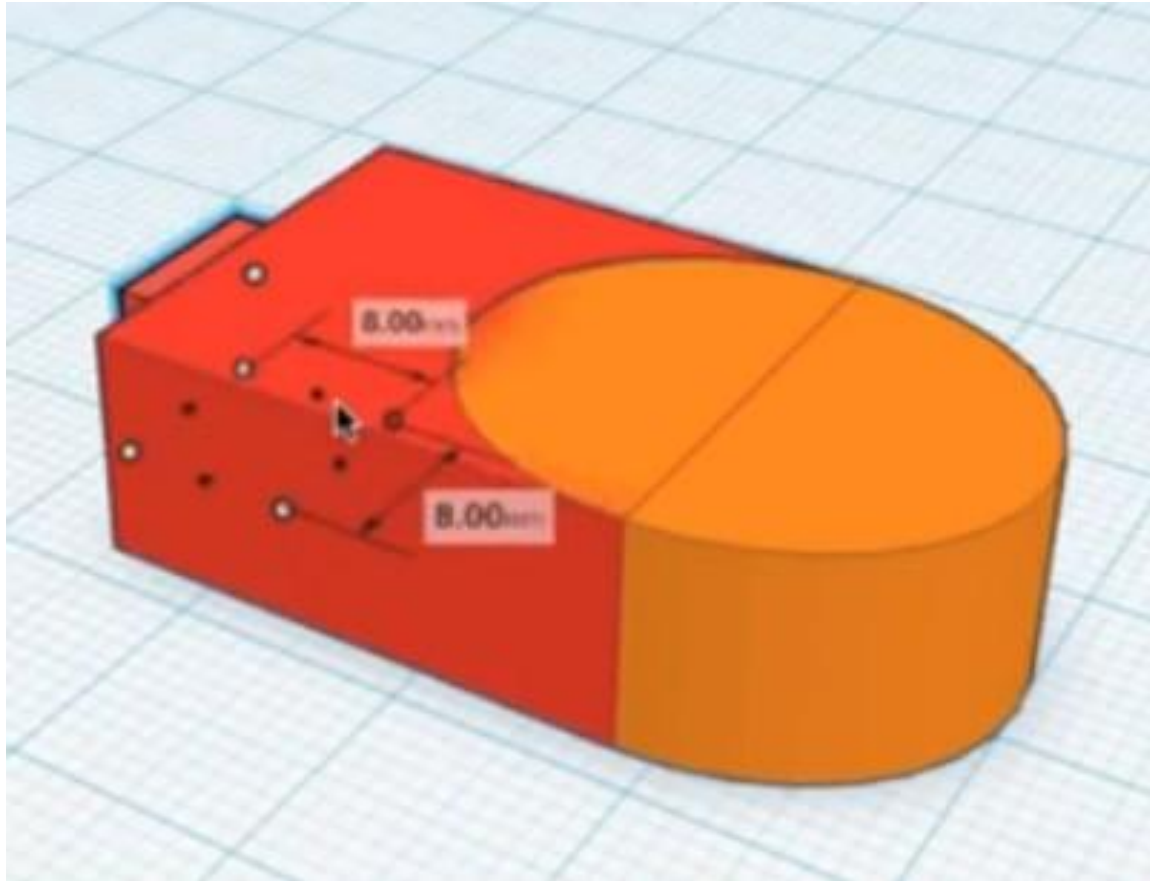


Turn the second block sideways and make it smaller...



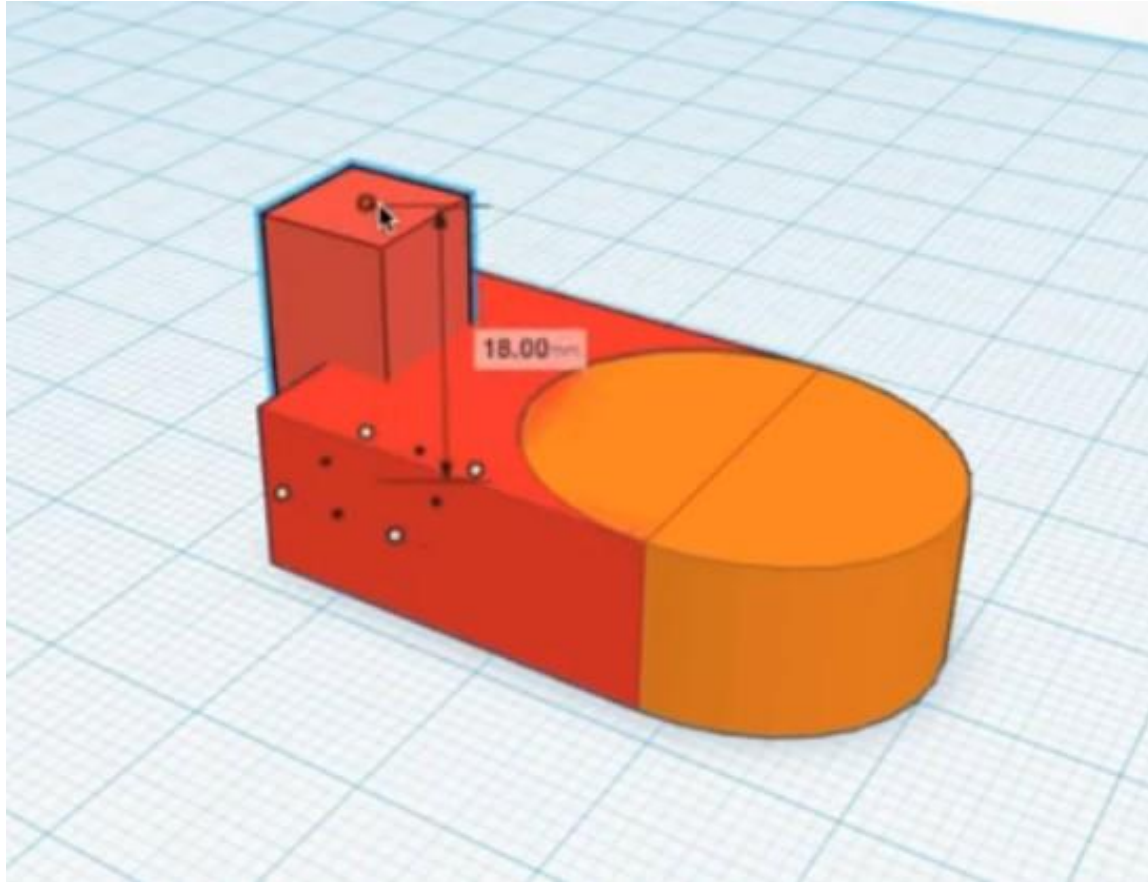
Adjust the length and width of the block...

- ***Length...8mm***
- ***Width...8mm***



Pull up on the small block to make it taller...

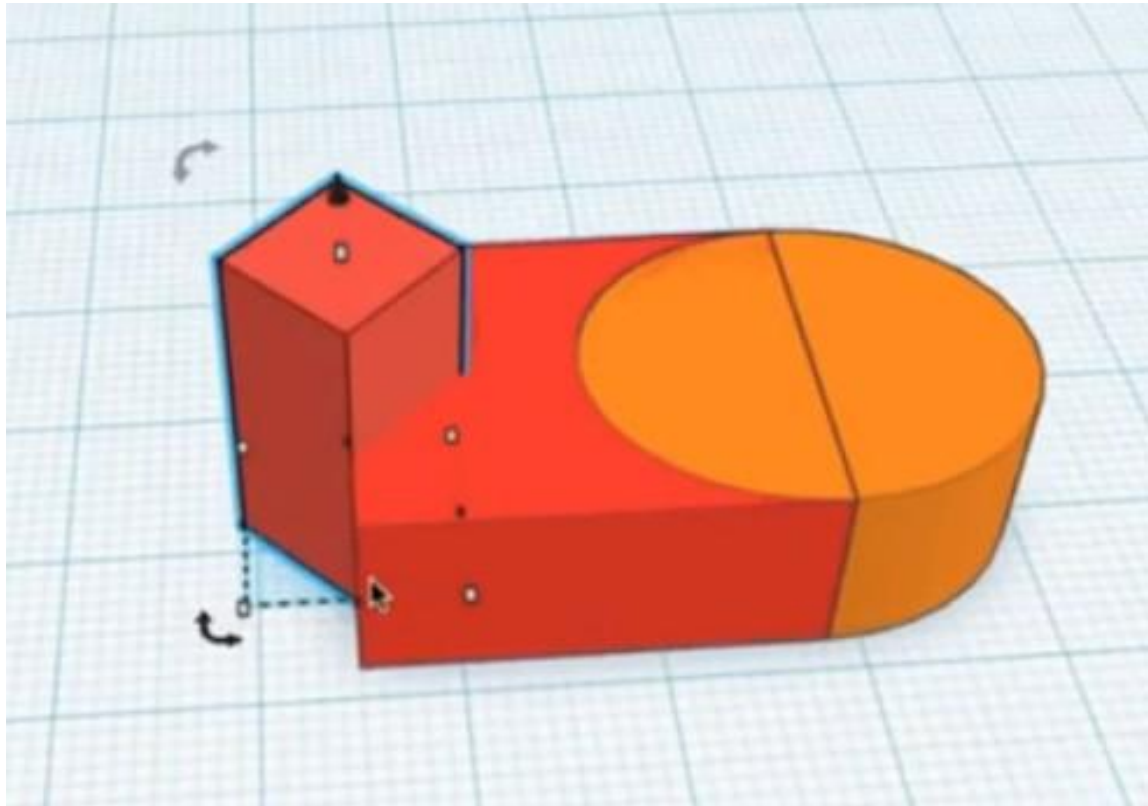
Height...18mm



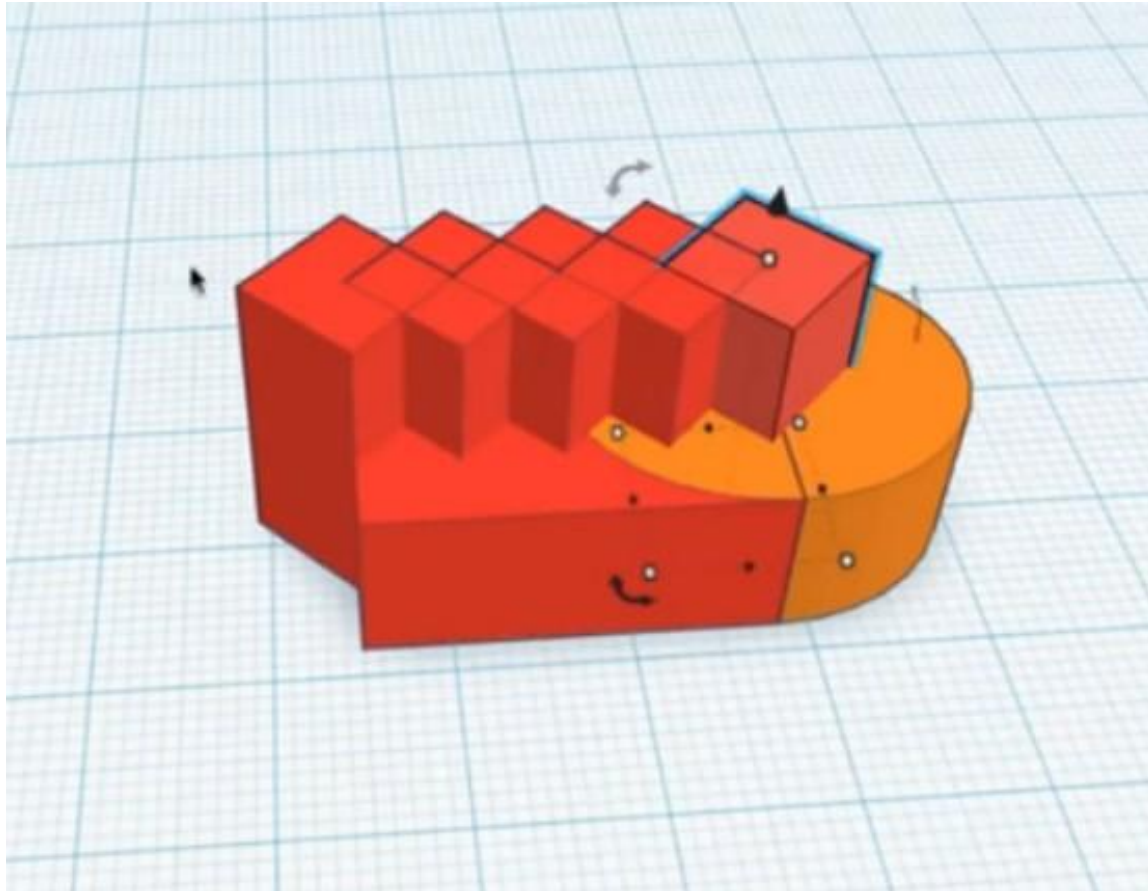
Rotate the assembly to the position...

If you set it in too far the clip won't work...

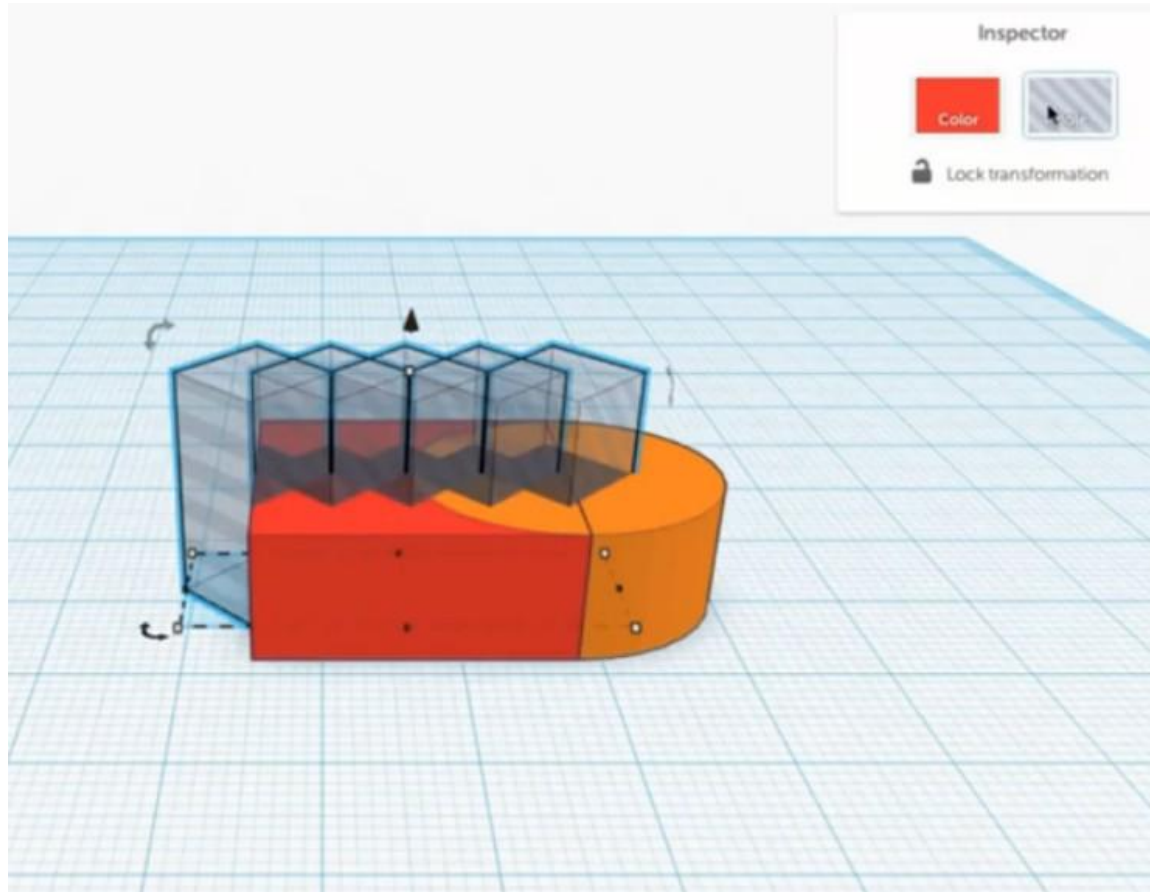
Stop at the corners...



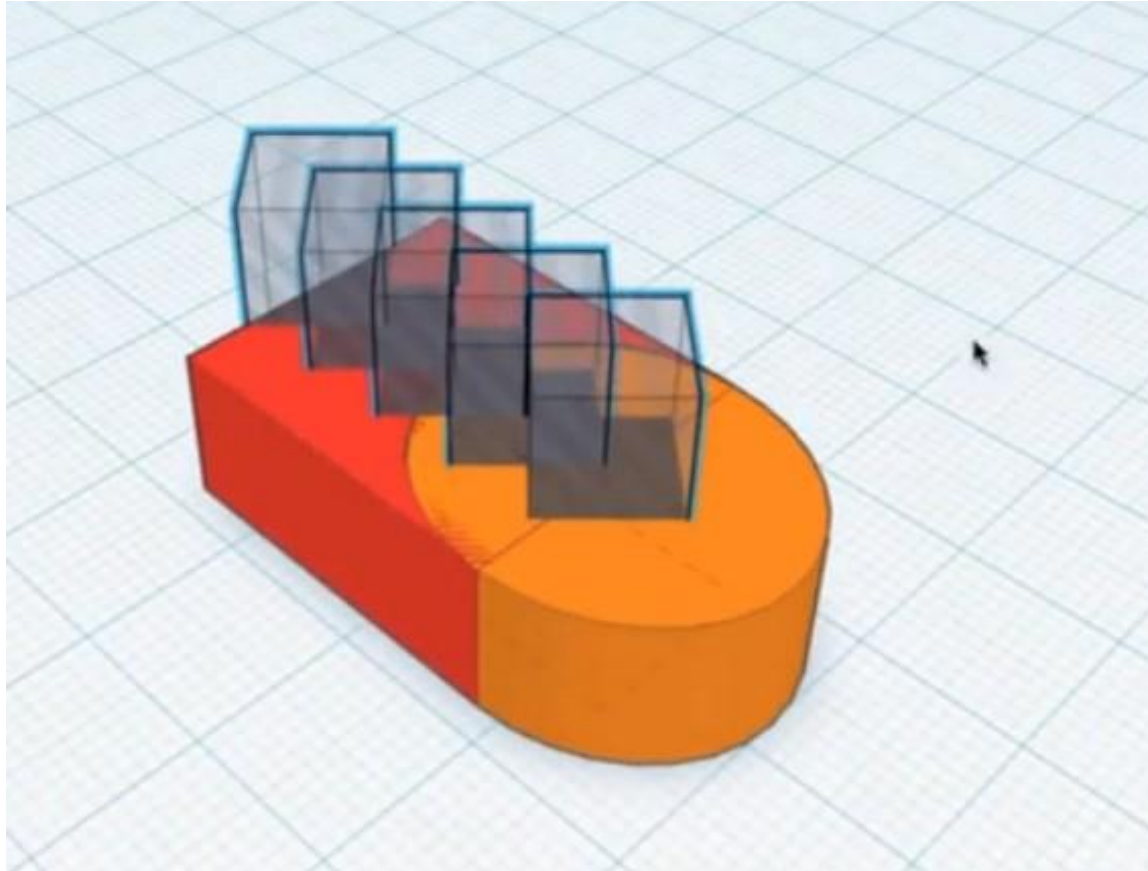
Copy and paste until you have 5 blocks...
The blocks should overlap to the center...



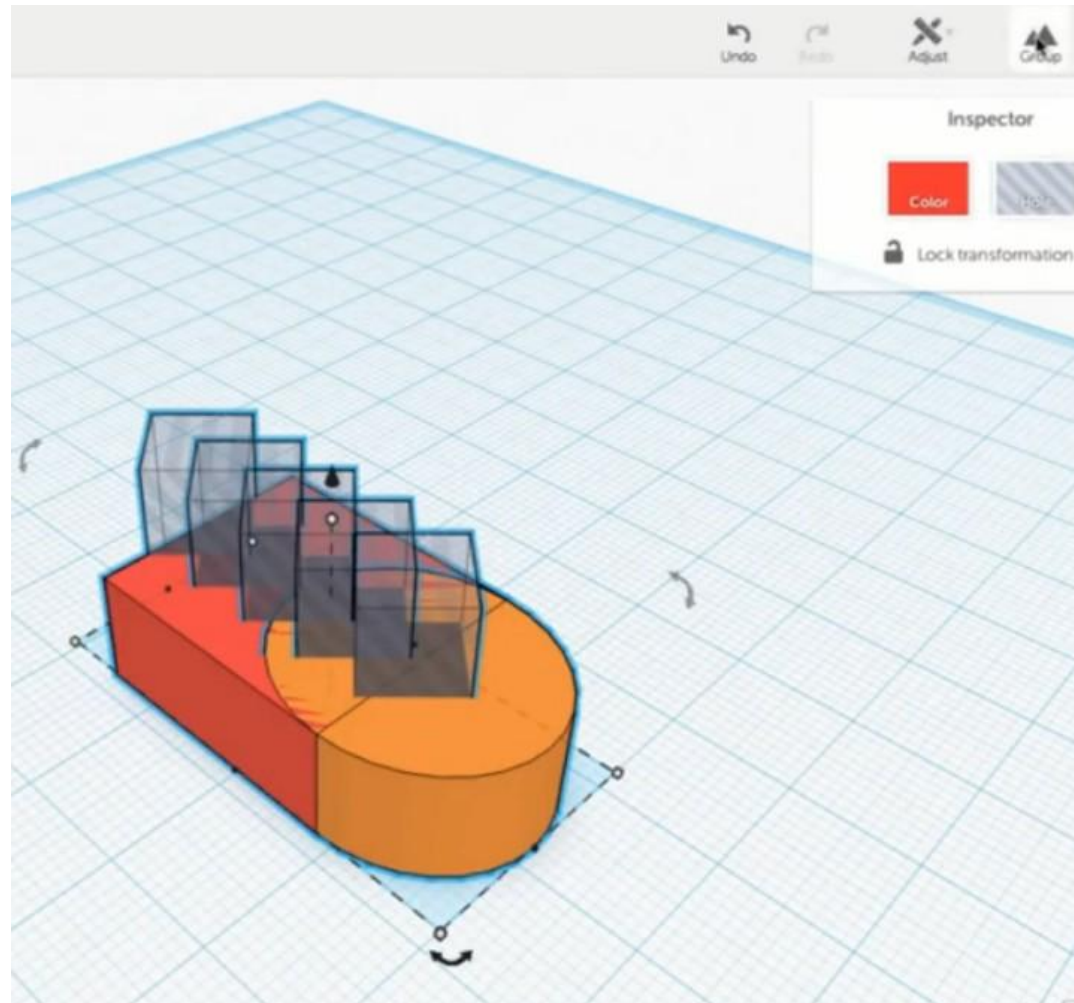
Drag a selection box around the tops of the boxes...
Turn the selected boxes into holes...



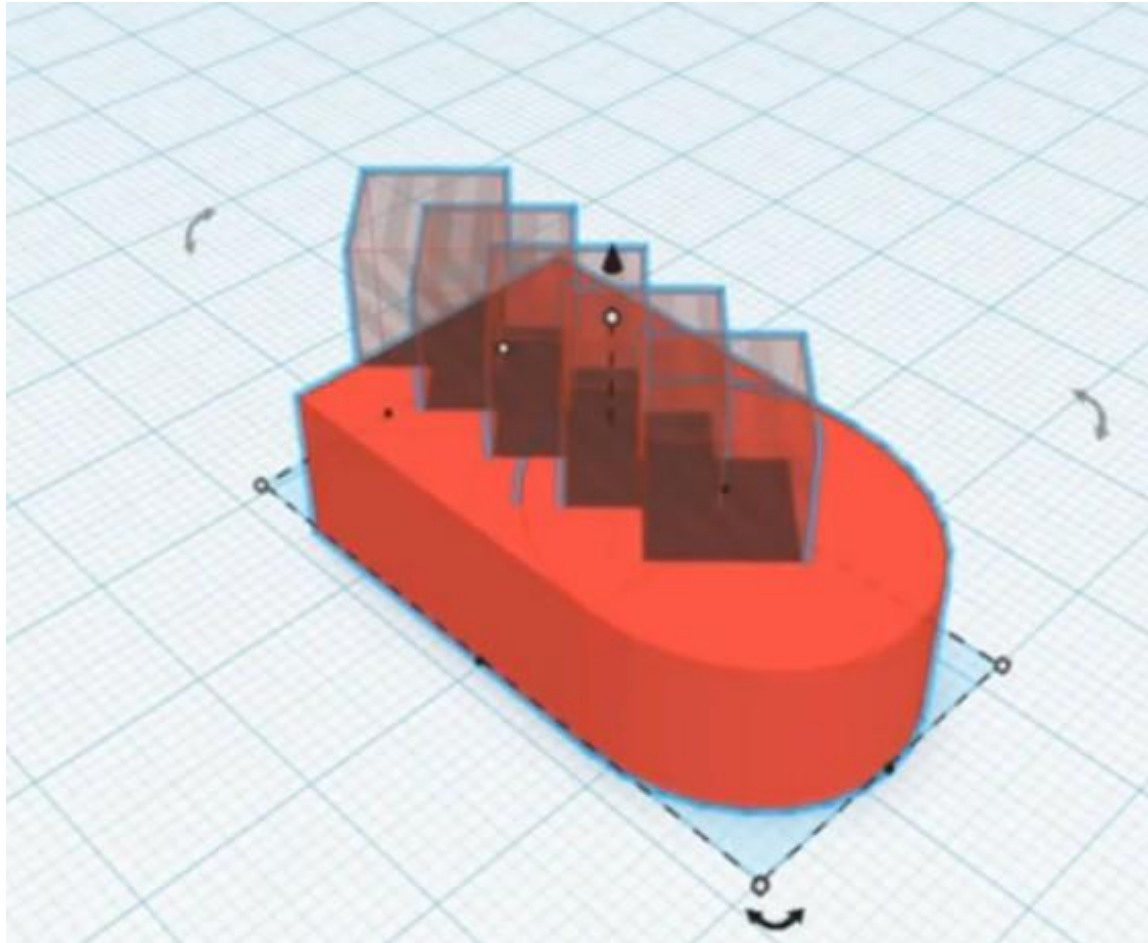
Rotate the drawing around to this angle...



Drag to a selection box around everything...



Select Group to group everything into one object...
This should change the object into one color...



You should now have this...

Share to save as a png and store it in Google Drive...

Submit the png for grading

